

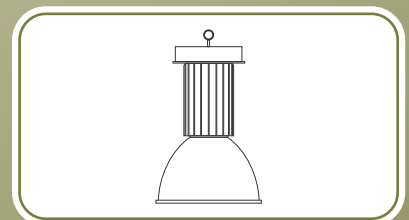


Beam Angle

Ra > 80

Available in

100W 150W / 200W



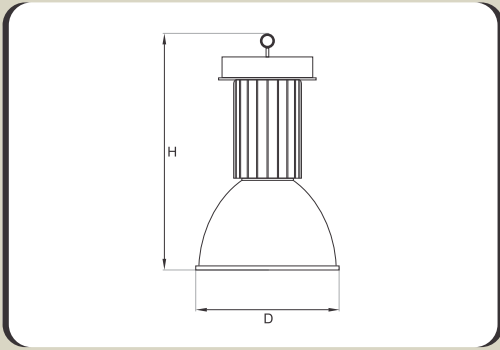
Features:

Living up to the legend Nimbus, the new Nimbus Perform is designed as a replacement for HPSV 250W/400W luminaires. Nimbus Perform offers superior light quality, more operating hours and reduced energy consumption and maintenance. The light guiding attachment over the Chip On Board (COB) provides better uniformity. Also being lighter than conventional luminaires, it is very easy to handle making it a perfect industrial lighting solution.

Design:

- Luminous efficacy > 100 lm/W.
- Energy efficient solution, reducing upto 50% energy consumption.
- Light guiding attachment for that perfect uniformity in illumination.
- High efficiency driver makes it a wise choice for industrial application.
- IP65 construction for least maintenance and upmost performance in challenging environments.

Dimensional Data:



Dimensions	100W	150W	200W
Length (L)	NA	NA	NA
Breadth (B)	NA	NA	NA
Height (H)	550mm	606mm	606mm
Diameter (D)	374mm	488mm	488mm

Product Specifications:

Product Code	Product Description	Power	CCT	Lumens	Beam Angle	Power Factor
NPH100C000	Pharox - Nimbus - Perform - 100W 5700K 60° Bay Light	100W	5700K	10000lm	60°	>0.95
NPH150C000	Pharox - Nimbus - Perform - 150W 5700K 80° Bay Light	150W	5700K	15000lm	80°	>0.95
NPH200C000	Pharox - Nimbus - Perform - 200W 5700K 90° Bay Light	200W	5700K	20000lm	90°	>0.95

Performance Guide: Watts/m²

Ht.(mtrs)	Lux Level*		
	200	150	100
12	4.5	3.5	2.28
10	4.38	3.15	2.25
8	3.92	2.85	2.15

Reflectances:	
Ceiling	80%
Floor	20%
Walls	50%

Light Loss Factor: 0.8

Lumens: 10000lm

* For 100W CW 60° luminaire
Data available on request for other variants